

# Harrisburg Radio Amateur's Club Newsletter

HRAC meets the second Wednesday of each month at 7:00 pm at HACC, Shumaker Public Safety Center, Gate 5 on Industrial Road in Harrisburg (Elmer Time starts at 6:30PM)

## CLUB OFFICERS

### PRESIDENT

Tim Lehman  
KB3OZA  
(717) 982-8550  
KB3OZA@arrl.net

### VICE PRESIDENT

Nick Rylatt  
AA3T  
(717) 957-4688  
AA3T@arrl.net

### SECRETARY

Pete Lehman  
KB3WIH  
plehman0@gmail.com

### TREASURER

Joe Stepansky  
KQ3F  
(717) 657-9792  
KQ3F@comcast.net

### TRUSTEE

Steve Gobat  
KA3PDQ  
ka3pdq@juno.net

### NEWSLETTER EDITOR

Terry Snyder WB3BKN  
HRAC.Newsletter@Yahoo.com  
Personal Email:  
(Terry@DJTerry.com)

### Webmaster

Gary Cappello KV3Q  
Webmaster@w3uu.org

## From The Desk of The President.....

September. My calendar says that summer is almost over, but you'd never guess it by looking at the thermometer. It's been a busy summer; Field Day, the Firecracker Hamfest, the Turnpike Tunnel expedition. It's time to start thinking about getting things wrapped up and ready for winter. The last-minute antenna projects, getting the outside maintenance caught up, maybe even one last hilltop outing if the weather holds out. I hope that your summer was as much fun as mine was.

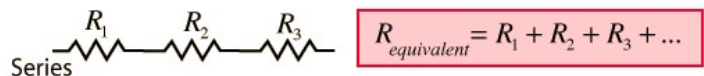
Now we have to start looking forward to the winter hamfest. There is a lot of planning and logistics that goes into getting a hamfest off the ground and making it a success. We need people to help with preparations. We have to contact vendors for donation, hand out flyers and generally talk up the event on local nets and of course there's always a need for folks to help set up and clean up the day of the event. If you want to get involved just let me or one of the other officers know and we'll be happy to put you to work.

I've been seeing a number of news items about the FCC taking enforcement actions against hams for various infractions of the rules. I even read one account of a CB'er being fined for interfering with other CB'ers and (wait for it) using an illegal amplifier. Maybe the FCC is trying to make up for the closing of several of their field offices. Whatever the reason, I'm glad to see them enforcing the rules instead of letting the obnoxious few get away with it.

I think that's enough for this edition. I have to get this to the editor so he can get the newsletter ready to go out. Hope I see you at the meeting.

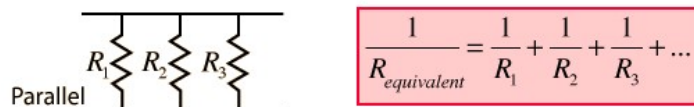
73,

Tim KB3OZA



$$R_{equivalent} = \frac{V}{I} = \frac{V_1 + V_2 + V_3 + \dots}{I} = \frac{V_1}{I_1} + \frac{V_2}{I_2} + \frac{V_3}{I_3} + \dots = R_1 + R_2 + R_3 + \dots$$

Series key idea: The current is the same in each resistor by the current law.



$$\text{Parallel: } \frac{V}{R_{equivalent}} = I = I_1 + I_2 + I_3 + \dots = \frac{V_1}{R_1} + \frac{V_2}{R_2} + \frac{V_3}{R_3} + \dots$$

$$\frac{1}{R_{equivalent}} = \frac{1}{R_1} + \frac{1}{R_2} + \frac{1}{R_3} + \dots$$

Parallel key idea: The voltage is the same across each resistor by the voltage law.

# August Meeting Minutes

The August 12, 2015 meeting of the Harrisburg Radio Amateurs Club was called to order at 1900 HRS by the president, Tim (KB3OZA).

**Secretary Report** - The minutes of the May meeting were published in the newsletter. Chuck (N3WL) made a motion to accept the minutes seconded by Rick (K2RBT). Motion PASSED

**Treasurers Report** – Joe (KQ3F) presented the treasurer's report. Rick (K2RBT) made a motion, seconded by Steve (KC3EUU) to accept the report. Motion PASSED

**Equipment Trustee** – No Report

**Repeater** –

- There was no change in the ownership of the .075 repeater
- Kevin (KA0JQO) discussed the issue of noise on the .760 repeater and possibly relocating the transmitter to a new location.

**VE Committee** – The next test session will be on August 15.

**Membership Committee** – No Report

**Newsletter** – No Report

**Web page** – Not Present

**EMCOMM** – No Report

**DXCC** –No Report

**Entertainment** – Nick (AA3T) will do a presentation on sealed lead acid batteries.

**Hamfest** – The date for the winterfest is set for January 23<sup>rd</sup> 2016 with the snow date set for January 30<sup>th</sup> the means of notification to the snow date will be via the club website.

**Elmer Time** – This month Terry (WB3BKN) will do a presentation about what to look for in a new HF radio. Terry (WB3BKN) requested ideas for future topics.

**Old Business** –

- There will be a committee meeting regarding the trailer modifications and design. Susquehanna approved a 3 month use, the township wants hold harmless agreement and a copy of the insurance.
- There was discussion of the club being the PA QSO Party Bonus station for this year.

**New Business** –

- There was a motion made by Neil (N3JQM) to give HACC their yearly contribution of \$200 from the club, seconded by Steve (KC3EUU). Motion PASSED.

**Good of the Club** –

- Nick (AA3T) was discussing using a speaker stand to hold a j-pole for portable operations.

**Adjournment** – There being no further business to conduct, Dave (N3DSA) made a motion, seconded by Kevin (KA0JQO), to adjourn. Motion PASSED Meeting adjourned at 2020 HRS.

## Weekly HRAC Net

The weekly information net is held every Wednesday at 8:00 PM on the 146.760 repeater, except for the second Wednesday of the month, which is club meeting night.

**The next VE Testing session will be on Saturday October 17, 2015 in the HACC Shumaker building at Gate 5 on Industrial road, Harrisburg, PA. Pre-Registration is required. Please arrive by 8:30am**

Contact: Steven Gobat [717-938-6943](tel:717-938-6943) Email: [KA3PDQ@arrl.net](mailto:KA3PDQ@arrl.net).

### VE Session News:

A Great Session, We had 7 applicants, with (9) elements taken. 5 Tech, 3 Generals. We had two small challenges and we took care of them, good job.

Thanks to the following for their help;

K3URT our newest VE  
KB3OZA  
KV3Q  
KE3YC  
N3FWE  
K3DRE  
KA3PDQ

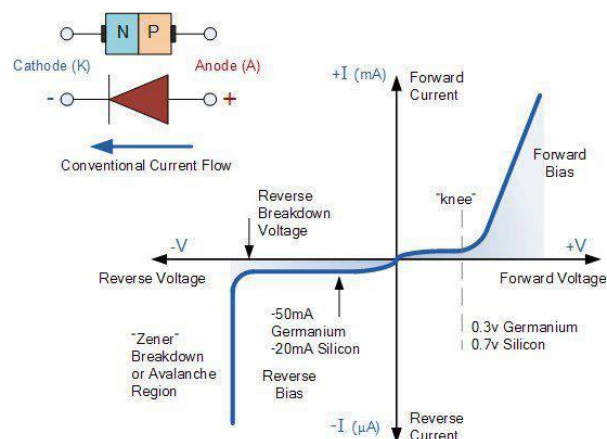
Next Session October 17,2015

**KA3PDQ, Steven**

I welcome subjects for the Elmer Time sessions from anyone, including our seasoned radio amateurs. Subjects should be something to expand on questions in the license exam that may need a clearer understanding. Either email the ideas to me at [Terry@DJTerry.com](mailto:Terry@DJTerry.com), or text at 717-979-9515.

Tnx 73

**Terry WB3BKN**



Please send any articles for the newsletter to [hrac.newsletter@Yahoo.com](mailto:hrac.newsletter@Yahoo.com)

## Two Great Amateur Radio Events in October

Don Kunst, W3LNE



The New Birth of Freedom Council will hold their Wizard Safari October 2, 3, 4 at 1073 Accomac Road, Hellam, PA, York County. This event is only held every 4 years and is the oldest and largest Scouting event run by the New Birth of freedom Council.  
<http://newbirthoffreedom.org/>

You may remember at the Gettysburg 150 I had set up a Ham Radio station near the medical tent for Scouts and Scouters as well as our Amateurs to talk around the world. I have received permission to plan to do this again at the Wizard Safari, but I need Amateurs to help staff it. The goal will be to use the K2BSA/3 call sign as a special event station and let the world hear about the great time we are having at the Safari and to introduce Scouts to Amateur Radio, the Merit Badge and have some fun. I especially hope that our Scouts and Scouters who are Amateur Radio Operators will support this event. In keeping with the event I hope to have Telegraph demonstration.

If you or your club are interested in helping, please contact me by email.



The 6<sup>th</sup> Annual JOTA, Jamboree On The Air, is October 16, 17, 18 in Upper Dauphin County. This weekend of camping gets bigger every year, with some exciting new activities this year. We still will have the Radio Merit Badge and tons of fun. If you haven't attended this event in the past years, it is the one to put on your calendar for the fall. <http://www.k2bsa.net/jota/>

Please let me know if you are interested in attending or staffing this great weekend. This is open to all Troops and Venture Crews in the Council.

I can be reached via email at: [w3lne@arrl.net](mailto:w3lne@arrl.net) or by phone at: 717 712-9116

---

## The founder of APRS is coming to Harrisburg

Bob Bruninga, WB4APR will be speaking at the Blue Ridge Country Club, Grill Room, in Harrisburg on Thursday, September 17 at 7 PM. This may be your only opportunity to meet him in the local area. All interested parties are invited. You do not need to be a member of any club. There is no entrance fee. Consuming food or drink is not required. If you do want to eat or meet Bob Bruninga during the meal time, please arrive at 5:30 PM. Proper attire: collared shirts, turtlenecks, knit sweaters, golf shirts, banded collar shirts, crew-neck and designer shirts must be worn. Denim blue jeans are permitted. Please RSVP as soon as possible since seating may be limited. Reply to: [wa3cpo@arrl.net](mailto:wa3cpo@arrl.net)

### the 10-Megabyte Computer System



**Only  
\$5995**  
COMPLETE

**New From IMSAI<sup>®</sup>**

- 10-Megabyte Hard Disk
- 5 1/4" Dual-Density Floppy Disk Back-up
- 8-Bit Microprocessor (Optional 16-bit Microprocessor)
- Memory-Mapped Video Display Board
- Disk Controller
- Standard 64K RAM (Optional 256K RAM)
- 10-Slot S-100 Motherboard
- 28-Amp Power Supply
- 12" Monitor
- Standard Intelligent 62-Key ASCII Keyboard (Optional Intelligent 86-Key ASCII Extended Keyboard)
- 132-Column Dot-Matrix Printer
- CP/M\* Operating System

*You Read It Right ...  
All for \$5995!*

**IMSAI<sup>®</sup>**...Thinking ahead for the 80's

415/635-7615 Computer Division of the Fischer-Freitas Corporation  
910 81st Avenue, Bldg. 14 • Oakland, CA 94621

\*CP/M is a trademark of Digital Research. Imsai is a trademark of the Fischer-Freitas Corporation

## Static Electricity Explained

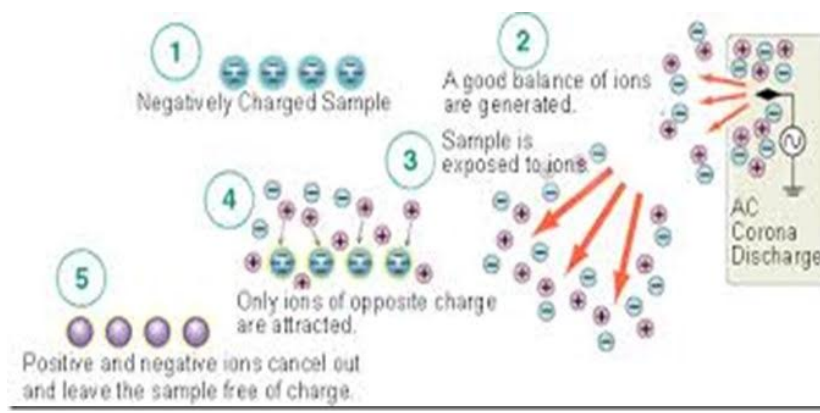
For those of you who had trouble in science class!!!

Just the other day a friend and I were walking through the Pro shop at a local golf course when he touched the door knob and got shocked by static electricity. He turns to me and says, I wish someone would explain that damned static electricity to me. So I did: and here is my explanation - especially for my non-engineering friends.

Static electricity is an imbalance of electric charges within or on the surface of a material. The charge remains until it is able to move away by means of an electric current or electrical discharge.

For modeling the effect of static discharge on sensitive electronic devices, a human being is represented as a capacitor of 100 Pico farads, charged to a voltage of 4,000 to 35,000 volts.

**When the human touches an object, this energy is discharged in less than a microsecond:**



### ARRL DX QSL Bureau mailing for HRAC members

I plan to make the next mailing to the ARRL Outgoing QSL Bureau at the end of September for HRAC members who are also ARRL members, that have DX QSL cards to go out. (DX is defined as other than, the lower 48 states, in this case)

Please place the cards in prefix order according to the DXCC country list and get them to me with a current QSL mailing label or copy of same to prove ARRL membership. You can get them to me at the Ham Lunch on September 24. You can also give them to Chuck, N3WL, as I see him often.

This service is provided free to all HRAC members. You may send one card or a thousand. Questions -- feel free to call me at 774-1728 or [k3swz@arrl.net](mailto:k3swz@arrl.net)

73 de Glenn, K3SWZ

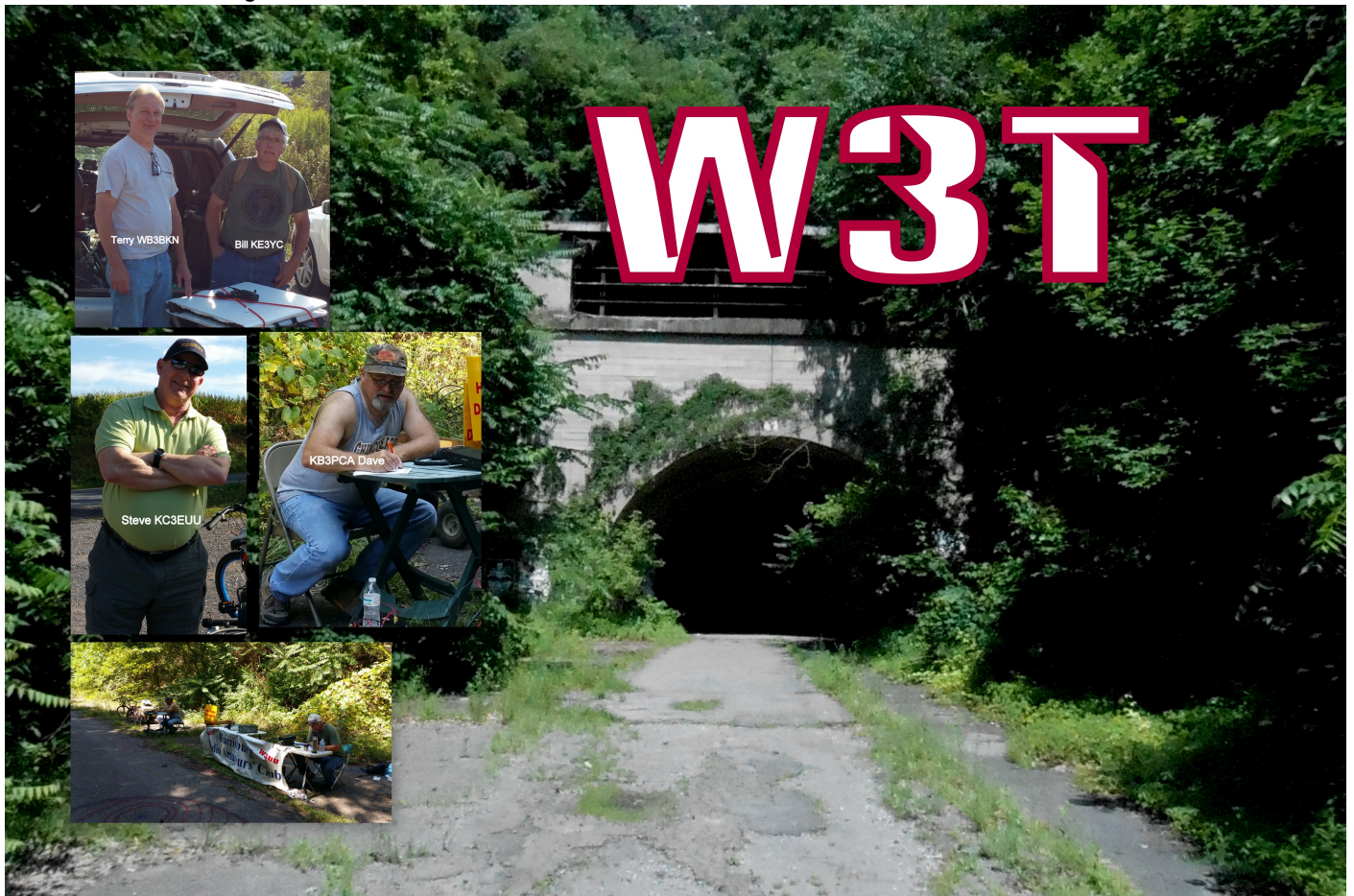
## Special Event Station

### Rays Hill Tunnel

(Terry Snyder WB3BKN)

Early in the morning on Saturday August 22<sup>nd</sup>, three members of HRAC met at the HACC parking lot at the unbelievable hour of 7am. I mean, who gets up that early anyway? But we did it. First to arrive were Bill KE3YC and me, Terry WB3BKN. We were beginning to believe that we would be the only ones, but we were relieved to see Steve KC3EUU pull into the lot with plenty of time to spare. The three of us headed west to the Breezewood exit on the PA Turnpike.

We must have looked like a couple of odd ball kids when we got there and unloaded our bikes, and trailers. Actually, mine was a Radio Flyer wagon, complete with wooden sides, and a rope to tie it to my bike. Mr. "always prepared" KE3YC had already packed his nifty little trailer the night before and tied everything in place. I chose to do all of that on site. I had the power source, a deep cycle marine battery (the largest I could find)(and heaviest as it turned out), a full sized ICOM 737A home station, a case with dipoles, ropes, and assorted connectors in it, and various other items in that ol' little red wagon.



Steve elected to set up a QRP station in the parking area with a nifty little collapsible antenna.

After a quick photo session to document this event, Bill and I went on to the tunnel, about a mile and a half ride. Bill seemed to glide along with great ease. Bill had a cool little trailer hooked to his bike, and his load was a bit lighter. I gotta get me one of those trailers. My Little Red Wagon trailed on about 5 feet behind me and kept going from side to side along the road, just like it did when I was a kid. By the way, did I mention how heavy that deep cycle battery is? It seemed to get heavier as I went along.

After I sweating out about two gallons of liquid along the way, we arrived at the Rays Hill tunnel. I can still feel that cool breeze coming through that hole in the mountain. We immediately began unpacking, and setting up tables, and

antennas. We had dipoles cut for the operating frequencies on which we would operate. (40 meters phone, and 20 meters phone). We hit the power and began operating a little after 10am eastern time.

Forty meters was hot. I can't say the same for 20 meters, although we did make contacts on 20 too. We were battling at least two QSO parties for space all day. We were joined by Dave KB3PCA, and his wife, pulling a large yellow wagon, who saw a post on one of the local club's reflector. We were glad to see other clubs show an interest in what we were doing. Dave worked with a portable 20 meter vertical and made several contacts in a short time, and then nothing for a while. That is how 20 was most of the day.

The power source we used, the Wal-Mart deep cycle marine battery was amazing. I have a volt meter on the box that it is in, and it never dropped below 12 volts all day. We were operating two full powered transceivers for several hours and no sag. Dave was using two ADM batteries and when he would transmit, his voltage would sag to nearly 10 volts. Although my battery is heavy, I will keep using it. I have several connectors built into it, including a 2.5 amp USB port, cigarette lighter receptacle, and four Anderson Power Poles. There is also a 750 watt inverter available on the unit.

We had several pamphlets to offer to passing bikers, and hikers. There were quite a few who stopped to talk with us throughout the day. It was a good day with perfect weather.

We packed it in late in the afternoon and headed back to Harrisburg. QSL cards are slowly coming in, and will be answered in the next week. Next year we plan to operate from the Sidling Hill tunnel around the same date. Sidling Hill tunnel is a bit easier to get to, but the walk is a bit longer.

---

## **FCC Proposes to Fine Ohio Radio Amateur for Malicious Interference, Failure to Identify**

08/20/2015

The FCC has proposed levying an \$8000 fine on a Cincinnati, Ohio, radio amateur, Daniel R. Hicks, KB8UYZ, who, at one point, had volunteered to track down the interference he was causing on a number of primarily VHF repeaters. In a *Notice of Apparent Liability for Forfeiture (NAL)* released on August 20, the FCC Enforcement Bureau asserted that Hicks intentionally interfered with other Amateur Radio operators' communications and failed to identify properly. According to the *NAL*, an agent from the Bureau's Detroit office first responded to multiple complaints of interference on various repeaters in April 2014.

"The agent, working with a local amateur group which included Mr Hicks, was unable to locate the source of the transmission," recounted the *NAL*, signed by FCC District Director James Bridgewater. Nearly a year later, in response to continued interference complaints, an agent from the Bureau's Detroit office returned to the Cincinnati area to take another crack at finding the source of the transmissions.

"This time, the agent did not advise the local Amateur Radio group that he was in the area," the *NAL* stated. "The agent used mobile direction-finding techniques to locate the source of the transmissions to...the address of record for Mr Hicks' amateur station, KB8UYZ."

ARRL Great Lakes Division Vice Director Tom Delaney, W8WTD, in his role as a spokesperson for the Greater Cincinnati Local Interference Committee, said at first the interference, which began in early 2014, was a nuisance, but later turned obscene and racist. He said his group was able to track the signals to a particular neighborhood, but group members were surprised to learn who was behind the interference.

"We did not know, until the FCC actually caught him, who it was," Delaney told ARRL. "We had our suspicions. We were very close to finding the source but were not quite there, but that helped the FCC." He said Hicks employed a "sophisticated" synthesized voice and very short transmissions across several repeaters to make him difficult to pin down.

According to the *NAL*, the agent monitored transmissions emanating from Hicks' station for about an hour and heard the station transmit several recorded messages. "These transmissions prevented other amateur licensees from communicating over the frequency," the *NAL* said. "During the monitoring period, the agent did not hear Mr Hicks transmit his assigned call sign. The transmissions used the call sign of another licensee." Delaney said the holder of that call sign had no idea why Hicks used it.

The FCC said it has determined that the evidence in the case was sufficient to establish that Hicks caused willful and malicious interference and failed to identify using his assigned call sign.

The Commission proposed a base forfeiture of \$7000 for causing malicious interference and \$1000 for failing to identify properly. Hicks has 30 days to pay the fine or to seek a reduction or cancellation of the proposed fine.



# Personalized Items Make the **BEST** Gifts!

(And who says you can't give yourself a gift...)

**EMBROIDERY - SCREEN PRINTING - VINYL  
HEAT TRANSFER - SUBLIMATION**

T-SHIRTS AND OTHER APPAREL, HATS, MUGS, VANITY PLATES,  
PATCHES, NAME PLATES AND MORE



Visit us online at [www.shopIBD.com](http://www.shopIBD.com) for ideas  
then give us a call at  
**717-885-2696** or **888-265-0812 x101**  
or email [geanne@shopIBD.com](mailto:geanne@shopIBD.com)  
for quotes and personalized service.



## For Sale

1986 F350 460CI

ALL RADIOS INCLUDED

**\$3,000.00**

Contact Steven Gobat [Ka3pdq@arrl.net](mailto:Ka3pdq@arrl.net)

717.439.0090 7am to 9pm

# **Berks Amateur Radio Club**

## **2<sup>nd</sup> Annual HAM Fest**

**September 20th, 2015**

**0800-1300**

**Bern Reformed United Church of Christ grove**

**3196 Bernville Road**

**Route 183**

**Leesport, PA 19533**

**The intersection of route 183 and Plum Creek road**

**5 miles north of the Reading Airport.**

**Follow signs**

**GPS Coordinates**

**40 Degrees-24'-17.7660"-North**

**76 Degrees- 1' – 47.5500" West**

**Admission- \$2.00 per person \$5.00 a car load - Sellers - \$5.00**

**VE test will be September 20<sup>th</sup> @ 10:30 am**

**Contact- Eric Cintron KN3M – 610-413-8344 or email**

**[KN3M@msn.com](mailto:KN3M@msn.com) Talk in :145.490 pl 114.8**

**[www.qsl.net/k3ti](http://www.qsl.net/k3ti)**

## Monthly Ham Radio Lunch

The last Thursday of each month there is a Ham Radio Lunch at the "Old Country Buffet" at noon (unless it is a major holiday).

This restaurant is located on Route 22 in Colonial Park in the vicinity of Value City Furniture, K-Mart and Home Depot.

It's a great way to meet new people!

## From the Editor's Desk

I know this nice hot weather can't last, but I am loving the 90 degree weather. Don't forget the PA QSO party is October 10th & 11<sup>th</sup>. It is a fun contest, if you have never done it, or any contest. Check <http://www.nittany-arc.net/PAQSO.html> for more information. This is a good chance to get the Keystone Award by getting 100 contacts with amateurs in PA. The Keystone award is given out by our club.

I welcome and encourage submissions to be published. I am just asking for you all to understand and follow a few guidelines. As an editor, my job is to compile stories as submitted to me, and to check for misspelled words, and grammar problems. Your job is to submit a ready to print article. If you have pictures, please add them to your email and they will be placed into the article. If your story is only fragmented sentences, or just copy points, it will be returned to you to correct. This is not because I am a bad guy, but because it takes valuable time to decipher the meaning intended. Please write any articles from the viewpoint of a reader who knows absolutely nothing about the subject. This includes including the meanings of acronyms.

Please do not wait until a day before publication date to submit things. If that is done, it will not be included. Most, if not all regular information is known by the middle of any month, and should be submitted immediately. If you are writing an article about an event, write it while the event is fresh in your mind, and submit it. Don't wait until the end of the month. Send articles to [HRAC.newsletter@Yahoo.com](mailto:HRAC.newsletter@Yahoo.com).

Tnx 73

Editor: Terry WB3BKN

Proofer: Jim WF3J



# HRAC MEMBERSHIP APPLICATION

MAIL TO:  
Tim Lehman (KB3OZA)  
PO Box 453  
Hummelstown, PA 17036  
717-982-8550

Make checks payable to HRAC—Membership is \$15.00 (\$7.50 if over 65) per year.  
Family Membership is \$25 (Hams must reside in the same household)  
Dues end December 31st.

NAME \_\_\_\_\_ CALL \_\_\_\_\_

ADDRESS \_\_\_\_\_

CITY \_\_\_\_\_ STATE \_\_\_\_\_ ZIP \_\_\_\_\_

PHONE \_\_\_\_\_ E-MAIL \_\_\_\_\_

ARRL Member: Y \_\_\_\_\_ N \_\_\_\_\_ \* YEAR FIRST LICENSED \_\_\_\_\_

SIGNATURE \_\_\_\_\_

I agree to abide by the guidelines of the membership and The Harrisburg Radio Amateur's Club, Inc.

