

www.w3uu.org



# Harrisburg Radio Amateur's Club Newsletter

HRAC meets the second Wednesday of each month at 7:00 pm at HACC, Shumaker Public Safety Center, Gate 5 on Industrial Road in Harrisburg (Elmer Time starts at 6:30PM)

## **CLUB OFFICERS**

### **PRESIDENT**

Tim Lehman  
KB3OZA  
(717) 982-8550  
KB3OZA@arrl.net

### **VICE PRESIDENT**

Nick Rylatt  
AA3T  
(717) 957-4688  
AA3T@arrl.net

### **SECRETARY**

Pete Lehman  
KB3WIH  
plehman0@gmail.com

### **TREASURER**

Joe Stepanyk  
KQ3F  
(717) 657-9792  
KQ3F@comcast.net

### **TRUSTEE**

Steve Gobat  
KA3PDQ  
ka3pdq@juno.net

### **NEWSLETTER EDITOR**

Terry Snyder  
WB3BKN  
Terry@DJTerry.com

### **Webmaster**

Gary Cappello  
KV3Q  
Webmaster@w3uu.org

## **From The Desk of The President.....**

What a week this has been. I had hoped that I would be able to write a glowing report of the Winterfest in this edition of the newsletter, but the weather has conspired to preclude that. The forecast of several inches of snow and HACC's closure of the campus forced us to postpone the hamfest by a week. We made the decision late Friday morning when the amount of snow forecast was increased to as much as eight inches. Being fairly confident that this would cause HACC to close the campus, we wanted to get the word out in as timely a fashion as possible, so the remainder of Friday was spent getting notices posted to Facebook, Twitter, Yahoo groups, mailing lists and Craig's list, just to name a few. Then when HACC issued a closure notice I felt all the better for having gotten the word out earlier in the day rather than having to do it into the wee hours of the night. So now we are on for the coming weekend of Jan 31.

This month's meeting will be our annual Ham Feast at Fire Mountain Buffet, on the Carlisle Pike. This is always a fun meeting. Good food, door prizes, and presentation of the Ham of the Year award to one of our members who has made significant contributions to the club over the past year. I really enjoy the opportunity to recognize a member for outstanding service.

Looking a bit farther forward, we have the biennial Three Mile Island emergency preparedness drill coming up in April. You have probably begun to see requests from emergency communication coordinators for volunteers to help staff the ARES stations at municipal EOCs. If you have never participated in this drill, I encourage you to give it a try. The drill has two major segments, split between two successive days. The power plant portion involves response to an incident at TMI and usually takes about two to four hours on a Tuesday night. The shelter portion is held on Wednesday and involves coordination of shelter operations as they would occur if Tuesday's incident required an evacuation. Of course, there are lots of other dimensions to the exercise, but those are the main ones involving ARES/RACES operations. If you have the time, I'm sure that you would enjoy participating and your help would be greatly appreciated.

I guess that's about all for now. I hope to see you at the Winterfest this weekend. I also look forward to seeing you at the Ham Feast.

73

Tim KB3OZA

# January Meeting Minutes

The January 14, 2014 meeting of the Harrisburg Radio Amateurs Club was called to order at 19:02 HRS by the president, Tim (KB3OZA).

**Secretary Report** - The minutes of the September meeting were published in the newsletter. Chuck (N3WL) made a motion to accept the minutes seconded by Gary (KV3Q). Motion PASSED

**Treasurers Report** - Joe (KQ3F) presented the treasurer's report. Dave (KB3NSX) made a motion, seconded by Milian (KC3AYU), to accept the report. Motion PASSED

**Equipment Trustee** – Terry (WB3BKN) Requested that a list be made of the club equipment in storage

**Repeater** – There is no controller on the new repeater, the duplexer and the antenna are the same.

**VE Committee** – The next test session will be Jan. 24th

**Membership Committee** – Tim (KB3OZA) reported dues reminder went out to 79 members

**Newsletter** – No Report

**Web page** – We will add a paypal button to the club web-page to pay for dues.

**EMCOMM** – No Report

**DXCC** –Not Present

**Entertainment** – Nick (AA3T) reported the following:

- This month's entrainment will be a presentation about Lithium Ion Batteries
- Next Month is the Hamfeast

**Winter Ham Fest** – Tim (KB3OZA) reported that everything is ready to go, setup is at 7am

**Elmer Time** –Terry (WB3BKN) did a presentation about the evolution of VHF/UHF

**Old Business** – None

**New Business** – None

**Hamfeast**- The hamfeast will be at Fire Mountain at 18:00 on Feb 11<sup>th</sup> the door prize will be a Yesu 7900 with separation kit

**Good of the Club** – None

**Adjournment** – There being no further business to conduct, Chuck (N3WL) made a motion, seconded by Milian (KC3AYU), to adjourn. Motion PASSED

Meeting adjourned at 19:45 HRS.

W3UU  
is  
ARRL Affiliated



## Weekly HRAC Net

The weekly information net is held every Wednesday at 8:00 PM on the 146.760 repeater, except for the second Wednesday of the month, which is club meeting night.

The next VE Testing session will be on Saturday February 21st, 2015 in the HACC Shumaker building at Gate 5 on Industrial road, Harrisburg, PA. Pre-Registration is requested. Please arrive by 8:30am

Contact: Steven Gobat [717-938-6943](tel:717-938-6943) Email: [KA3PDQ@arrl.net](mailto:KA3PDQ@arrl.net).

The test results for test at the winter hamfest are as follows;

11 Applicants  
11 Elements taken  
7 elements passed - 2 Extra, 3 General, 2 Tech  
4 elements failed

VEs participating

Bill Rawlings	KE3YC
Michael Kalbaugh	N3HLK
Gary Cappello	KV3Q
Steve Hancock	N3FWE
Steven Gobat	KA3PDQ

Thanks to all you helped.

Next Session February 21, 2015

Please send any articles for the newsletter to [hrac.newsletter@Yahoo.com](mailto:hrac.newsletter@Yahoo.com)

# HAM RADIO OPERATOR

WHAT MY FRIENDS THINK I DO

WHAT MY WIFE THINKS I DO

WHAT SOCIETY THINKS I DO

WHAT MY KIDS THINK I DO

WHAT I THINK I DO

WHAT I ACTUALLY DO

hamhijinks.com

## Backpack Antenna Mounts.

Getting more out of your HT & Portable Radios on the move.

Here's one way to get your antennas above your head while carrying more radio gear for fun hikes, Public Service or EmComm preparedness.

The [ALICE](#) pack (**A**ll-purpose **L**ightweight **I**ndividual **C**arrying **E**quipment - adopted as United States Army Standard A on 17 January 1973), is a great deal at military surplus stores, I bought mine (new) for under \$30 at [Colemans](#) in Millersburg, PA.



The great thing about the ALICE pack design is the simple, rugged, lightweight and highly customizable aluminum frame, look how simple it is to add an antenna support bracket to the frame sides – this picture shows a piece of 2" angle aluminum cut to nest into the frame cage, placing the weight of the antenna on the base of the pack.



Three mounting holes drilled in the ALICE pack frame secure the bracket, notice how the bracket fits snug against the lip on the horizontal/angled band of the for futher rigidity. Drill the bracket first then transfer hole positions to the frame for best accuracy.



frame  
the

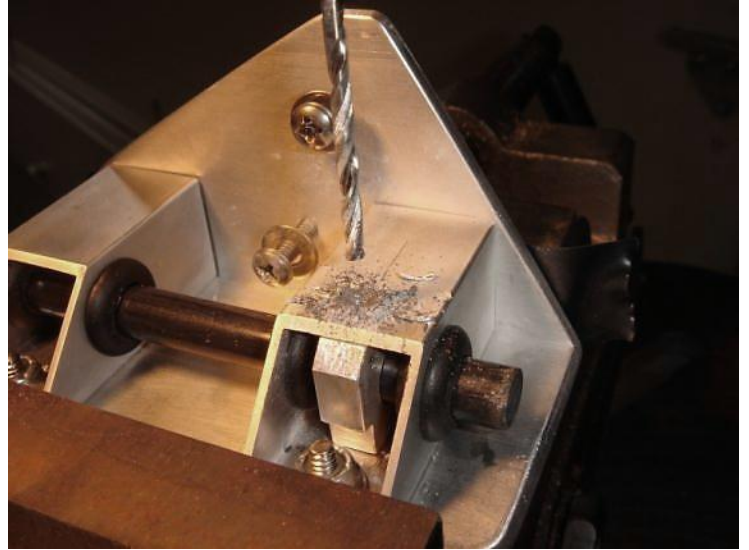
There are quite a few options for attaching antennas to the bracket from this point; I also wanted to raise antennas safely above head height while providing some form of shock absorption to decouple the inevitable antenna sway/vibrations that could increase fatigue on the move.

Fiberglass snow marker rods, available from most hardware stores for about \$1.50 each are a great choice for a mast – robust, flexible and a very low cost. There are also a few options on length too.

To buffer the vibration and to mount the fiberglass rods, four rubber panel grommets were inserted into two short sections of  $\frac{3}{4}$ " square aluminium tube. The tube sections were then mounted to the main bracket with #6 machine screws.

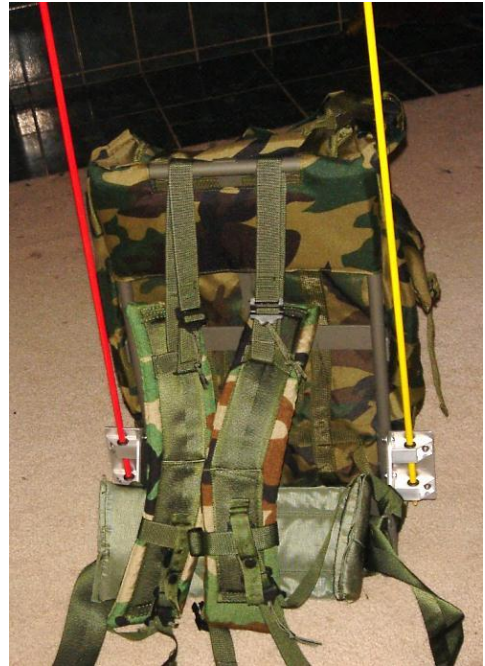
The square tube sections were cut at 45° on the open end to keep a snag free low profile when attached to the pack.

A small mounting block placed in the lower square section is drilled with the fiberglass rod in place, then tapped to receive a #4-40 machine screw that secures the rod vertically in the mount. (see picture)



Here' the finished pack with two antenna support rods and the Medium (50lb) size Alice pack fitted over the frame.

Don't forget to "mirror image" the bracket shape for the other side.



All that is left is to mount your antennas atop the fiberglass rods.

Here's a simple remote mounting bracket for an HT rubber ducky, not a great solution, but add some radials and your own whips and it could be converted to a very effective  $\frac{1}{4}$  Wave Ground Plane antenna.



This is an M2 Antennas horizontal 440Mhz loop attached to the fiberglass rod for mobile SSB operations, I used a nylon sleeve from Ace Hardware to get a perfect replacement fit for the original M2 mast.”

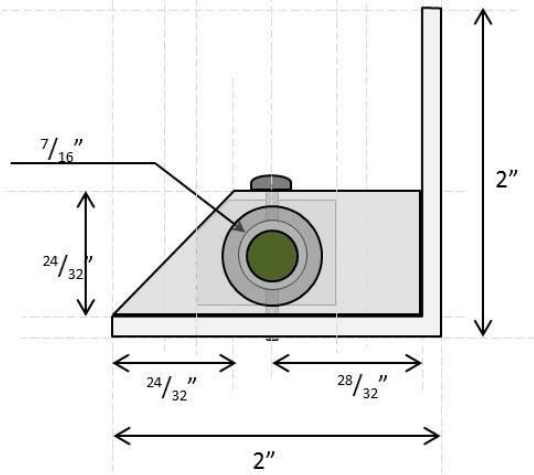
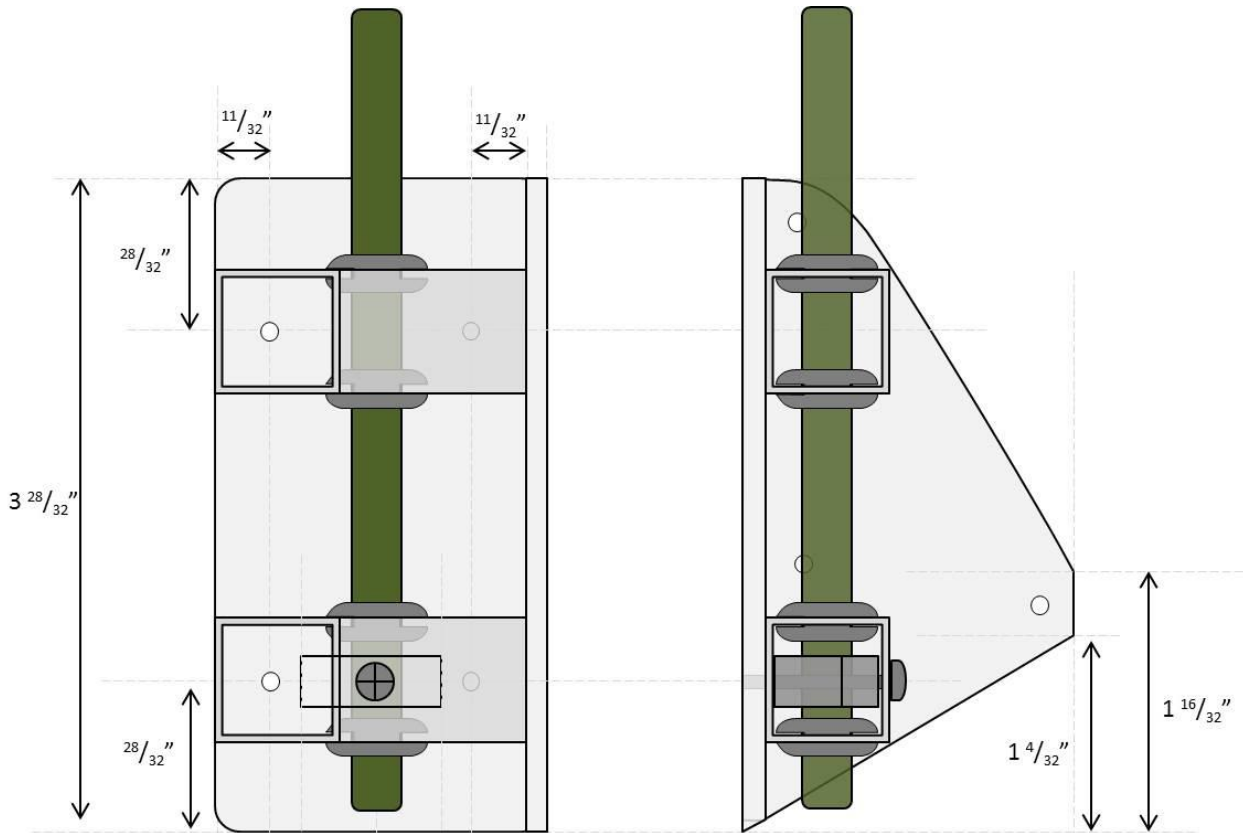
Another great feature of the ALICE frame is the ability to install a cargo shelf (they cost about \$5) in two locations; ideal for supporting heavier radios and batteries for high power or longer duration deployment scenarios.

Here's the cargo shelf installed in the lower frame location below the pack, stocked with two larger capacity batteries.

With this type of flexible hauling capability, you could use larger and more sophisticated radios for SSB and HF portable operations too.



If you're interested in experimenting with a backpack mount, here's a sketch showing most of the critical dimensions and materials used for the right hand side mount. With the exception of a drill press, the mounts can be built using basic hand tools – Hacksaw & File.



**Antenna Mount for ALICE Pack**  
KB30FE

**Materials:**

- #6 Stainless Hardware
- Flat washers, Qty=14
- 1/2" machine screws, Qty=7
- Locknuts, Qty=7
- 1/3" Fiberglass rod
- 2" right angle aluminium
- 3/4" square aluminium tube
- #4-40 x 1" machine screw, Qty=1
- Rubber grommets, Qty=4

## The story that only gets better each time it's told:

The FCC Enforcement Bureau has affirmed an \$11,500 fine against Brian Crow, K3VR, of North Huntingdon, Pennsylvania, for deliberately interfering with other Amateur Radio communications. The FCC had first proposed the fine last July in a *Notice of Apparent Liability for Forfeiture (NAL)*, and it released a [Forfeiture Order](#) on January 13. The FCC said it imposed the financial penalty because of Crow's "willful and repeated violation" of Section 333 of the Communications Act and of Sections 97.101(d) and 97.119(a) of the Amateur Service rules "by causing intentional interference to licensed radio operations and failing to transmit his assigned call sign."

The FCC said that Crow did not respond to the 2014 *NAL* and that, based on the information before the Commission, affirmed its proposed fine. On July 22, 2014, the FCC also issued a similarly worded *NAL* to Michael Guernsey, KZ8O (ex-ND8V), of Parchment, Michigan, proposing to fine him \$22,000. In both cases, the FCC said the evidence indicated that the transmissions at issue were aimed at interfering with other radio amateurs with whom each licensee "had a long-standing and well-documented dispute" that had spilled out onto the air.

In both instances, the FCC said, it responded in March 2014 to "several complaints of intentional interference" on 14.313 MHz, and Commission agents used radio direction-finding techniques to pin down the transmission sources. According to the *NAL* issued to Crow, FCC agents monitored transmissions from his station for approximately 3 hours on March 14, 2014, and heard him transmit slow-scan television (SSTV) signals and "a pre-recorded voice transmission of another amateur station on the frequency."

"These transmissions prevented other amateur licensees from communicating over the frequency," both *NALs* said, adding that neither Guernsey or Crow transmitted their assigned call signs while the agents were listening.

The FCC agents visited Crow's residence and asked to inspect his station, which they confirmed was capable of operating on 14.313 MHz. Crow denied operating his station that morning, however, and claimed that he was not at home when the interfering transmissions occurred.

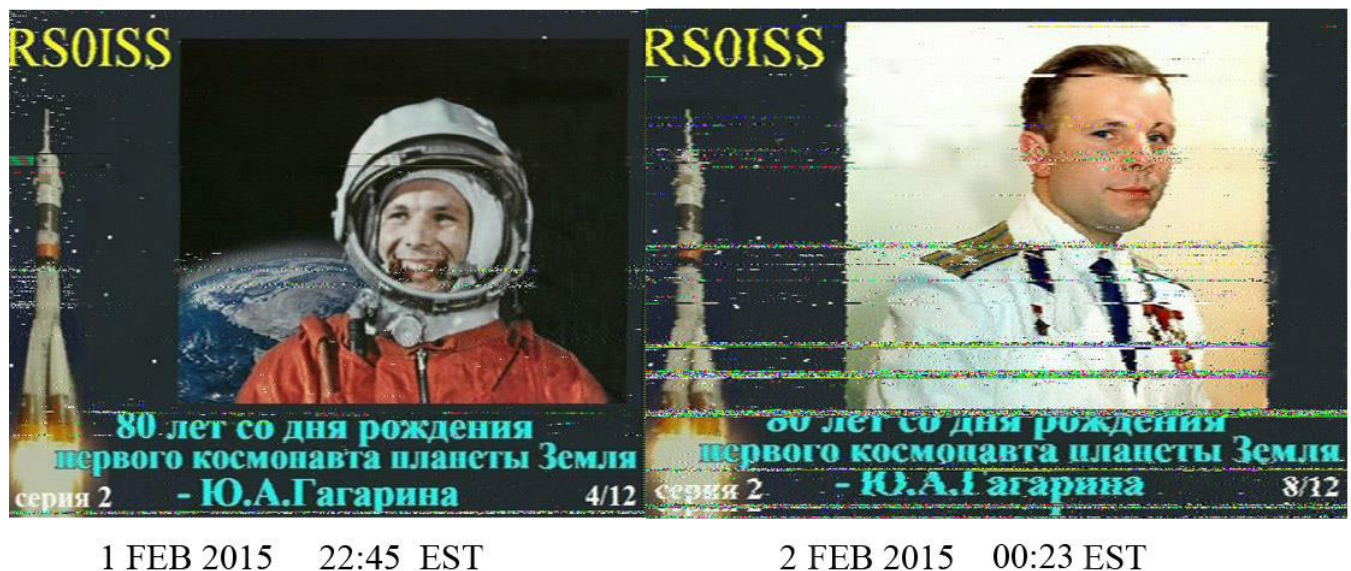
The Enforcement Bureau had warned both Guernsey and Crow in the past regarding interference to other Amateur Radio operators. In Crow's case, the FCC said the fact that he subsequently interfered with other amateur operators "demonstrates a deliberate disregard for the Commission's authority," warranting an upward adjustment of \$3500 to his proposed base forfeiture. Guernsey's case is still pending.



## TV from the Space Station

Several local hams have become very interested in getting images from the International Space Station. The last weekend in January gave amateurs a great opportunity to capture images from the ISS. Not much hardware and software is need to do this. SSTV and MMSTV are available for download from the internet. With the ISS passing overhead at a distance of no more than 25 miles even an HT can pick up the signals from the ISS. Interface cables to your computer or even acoustic coupling may be used to get images.

Here are some sample images downloaded by Dick Goodman, WA3USG, in York County.

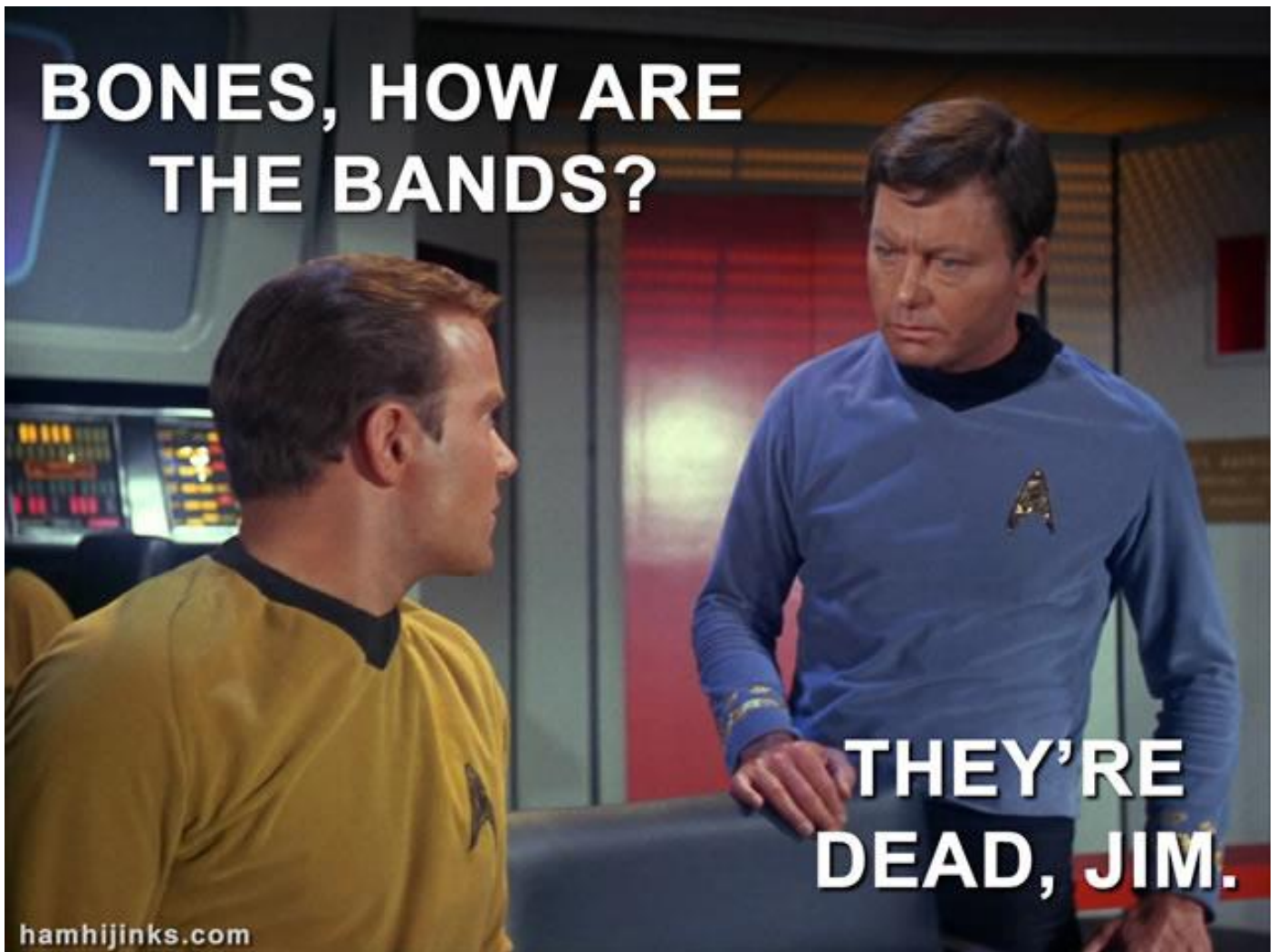


Pretty cool!

## TV from the Space Station continued:

Over the years many ham radio operators have used this unique platform to send voice and data transmission to earthbound hams. There are many sources that can give you more information about the ISS and when it will pass over southcentral PA.

**NEW DXER'S HANDBOOK** ---> Four years ago Bryce Anderson, K7UA wrote a series of short articles for his local DX club that came together as the "New DXer's Handbook". The second edition, revised and updated, is now available for free download at [www.k7ua.com](http://www.k7ua.com). It is a concise guide (41 pages and nine chapters) that covers the various aspects of DXing; the translations into Greek, Polish, Portuguese and Russian will be available on Bryce's website when they are completed.



### **Long Delayed Echoes**

*Looking back through the rich history of the Harrisburg Radio Amateur's Club*

Compiled by Mark Robinson WB3JIS

*It's February when one of the Federal holidays therein is dedicated in part to the birthday of "Honest Abe" Lincoln. Below is an excerpt from the club's August 1995 newsletter with a brief yet heartwarming story of honesty. OK, the President's Day link is a bit of a stretch but you have to give me credit for trying...*

---

## **ANSWER LINE CONTACT HELPS**

At the end of the FireCracker Hamfest while cleaning up the area, Bill Trip, N3PLR found a bag of Susan B. Anthony dollars in the grass. He turned it in to Tom, WU3X, and later in the week the owner called the HRAC Answer Line to see if anyone had found his pouch. All has been returned to the rightful owner, who was very impressed with the honesty of HRAC and its members. It was possible for him to contact us because of the Answer Line - the number was published on the hamfest flyer.

## Monthly Ham Radio Lunch

The last Thursday of each month there is a Ham Radio Lunch at the "Old Country Buffet" at noon (unless it is a major holiday).

This restaurant is located on Route 22 in Colonial Park in the vicinity of Value City Furniture, K-Mart and Home Depot.

It's a great way to meet new people!

## From the Editor's Desk

I am sure that you are wondering why I am still in PA, and not in Florida. Those plans are on an indefinite hold because of family obligations. My mother has been having trouble taking care of her daily needs and I have taken on the responsibility of her care. It is sad and a bit trying to watch a parent who was so independent become so dependent on others. So, since I will be here a while longer, I have taken on the editors position and the equipment trustee position, and I will also be back on the hamfest committee with Tim KB3OZA. Together we and others will continue to grow our outreach and grow our hamfests for years to come.

I would also like to express my gratitude to **Jim Hoffman (WF3J)** for his help as my proof reader. It is great to have another set of eyes to find any mistakes before publication.

I welcome and encourage submissions to be published. I am just asking for you all to understand and follow a few guidelines. As an editor, my job is to compile stories as submitted to me, and to check for misspelled words, and grammar problems. Your job is to submit a ready to print article. If you have pictures, please add them to your email and they will be placed into the article. If your story is only fragmented sentences, or just copy points, it will be returned to you to correct. This is not because I am a bad guy, but because it takes valuable time to decipher the meaning intended. Please write any articles from the viewpoint of a reader who knows absolutely nothing about the subject.

Please do not wait until a day before publication date to submit things. If that is done, it will not be included. Most, if not all regular information is known by the middle of any month, and should be submitted immediately. If you are writing an article about an event, write it while the event is fresh in your mind, and submit it. Don't wait until the end of the month. Send articles to [HRAC.newsletter@Yahoo.com](mailto:HRAC.newsletter@Yahoo.com).

Tnx 73

Terry WB3BKN



# Personalized Items Make the **BEST** Gifts!

(And who says you can't give yourself a gift...)

**EMBROIDERY - SCREEN PRINTING - VINYL  
HEAT TRANSFER - SUBLIMATION**

T-SHIRTS AND OTHER APPAREL, HATS, MUGS, VANITY PLATES,  
PATCHES, NAME PLATES AND MORE



Visit us online at [www.shopIBD.com](http://www.shopIBD.com) for ideas  
then give us a call at  
**717-885-2696** or **888-265-0812 x101**  
or email [geanne@shopIBD.com](mailto:geanne@shopIBD.com)  
for quotes and personalized service.



## Welcome to Frostfest!

Frostfest 2015 will be held on Saturday, February 7  
at the Richmond Raceway Complex!

Everything you need to know about the Mid-Atlantic's Largest and First Hamfest of the year is **right here!**

We're looking forward to providing a host of vendors, plenty of forums and group meetings,  
as well as being the Virginia State ARRL Convention.

Check out all the details at [www.frostfest.com](http://www.frostfest.com)!

# HRAC MEMBERSHIP APPLICATION

MAIL TO:  
Tim Lehman (KB3OZA)  
PO Box 453  
Hummelstown, PA 17036  
717-982-8550

Make checks payable to HRAC—Membership is \$15.00 (\$7.50 if over 65) per year.  
Family Membership is \$25 (Hams must reside in the same household)  
Dues end December 31st.

NAME \_\_\_\_\_ CALL \_\_\_\_\_

ADDRESS \_\_\_\_\_

CITY \_\_\_\_\_ STATE \_\_\_\_\_ ZIP \_\_\_\_\_

PHONE \_\_\_\_\_ E-MAIL \_\_\_\_\_

ARRL Member: Y \_\_\_\_\_ N \_\_\_\_\_ \* YEAR FIRST LICENSED \_\_\_\_\_

SIGNATURE \_\_\_\_\_

I agree to abide by the guidelines of the membership and The Harrisburg Radio Amateur's Club, Inc.

